

Chromed Outside Door Handles

Kit Contents

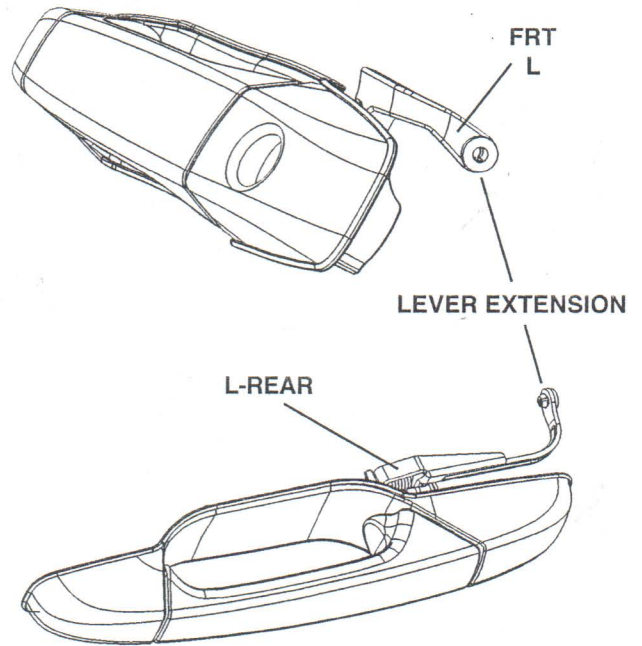
Description	Quantity
Front Driver Side Handle w/ lock cylinder provision	1
Front Passenger Side Handle	1
Rear Driver Side Handle	1
Rear Passenger Side Handle	1
Installation Instructions	1

Required Tools

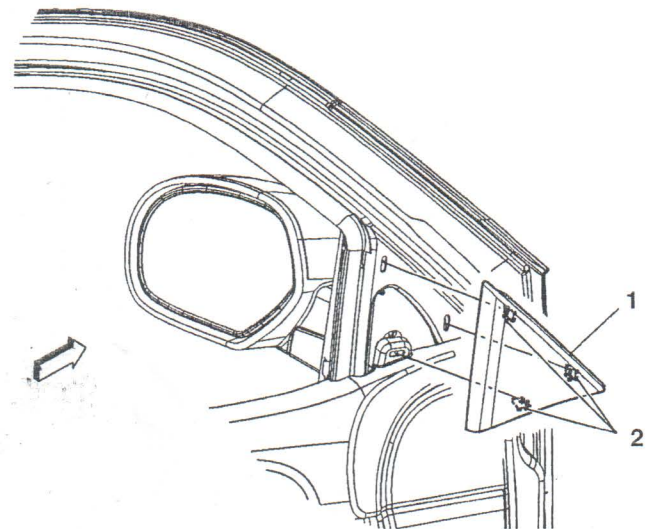
- Flat bladed tools
 - Panel Trim Removal Tool: Plastic, Vinyl or Nylon Knife.
 - Door Trim Fastener Removal Tool
- Ratchet with 10 mm socket and 6 inch extension
- Pencil Magnet
- Torque Wrench

Before You Start:

- Read all instructions prior to starting.
- This document has been written to allow the installer to disassemble the doors as needed to install the chromed handles. Follow the instructions in the reverse order to complete the reassembly of the doors.
- **NOTICE:** Use the correct fastener in the correct location. Replacement fasteners must be the correct GM part number for that application. Do not use thread locking compound or sealant. Do not use paints, lubricants, or corrosion inhibitors on fasteners or fastener joint surfaces. These coatings affect fastener torque and joint clamping force and may damage the fastener. Use the correct tightening specifications when installing fasteners in order to avoid damage to parts and systems.
- **HANDLE POSITIONS**
 - **FRONT HANDLES:** The front handles are stamped with the door position on the end of the handle's lever extension next to the plastic grommet. The positions are noted as Frt L (Front Left), Frt R (Front Right). The single digit suffix next to the position stamp is for manufacturing purposes only.
 - **REAR HANDLES:** The rear handles are stamped with the door position on the side of the handle's lever extension. The positions are noted as L-Rear (Left Rear) and R-Rear (Right Rear). See examples below.
 - **NOTE:** The front door handles have a shorter lever extension than that of the rear door handles.



Upper Extension Trim Panel Replacement – Front Doors



1. Open the front door to remove the upper extension trim panel.
2. **NOTE:** This panel may or may not be attached to the door trim panel. Remove or release the upper extension (1) from the trim panel by pulling outward on the front edge to release the clips (2).

Chromed Outside Door Handles

REV 17AU07

PART NO. **88968297**

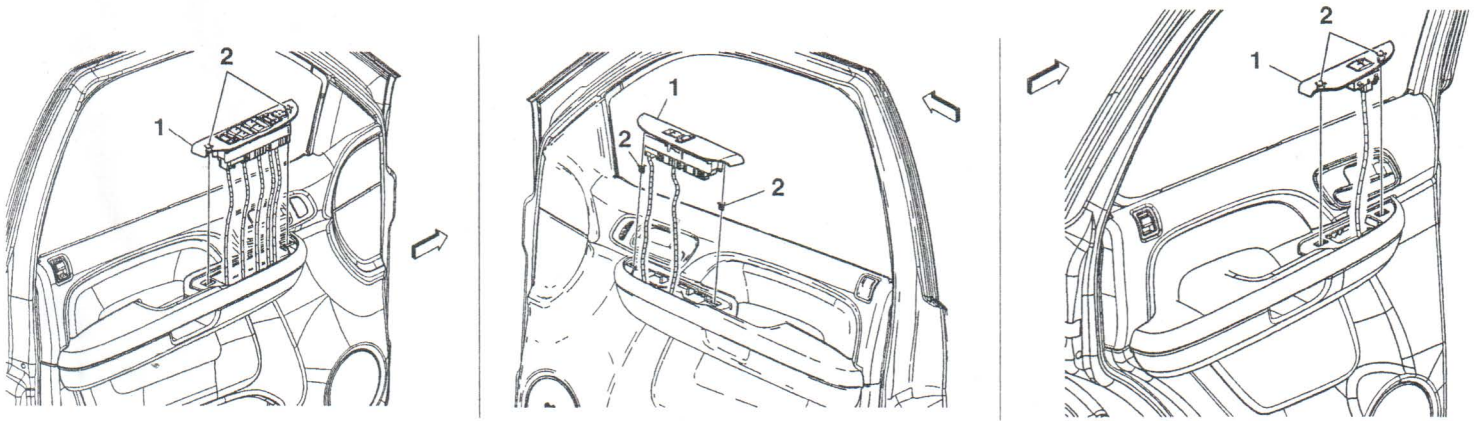
SHEET **1** OF **15**

ALL INFORMATION WITHIN ABOVE BORDERS TO BE PRINTED EXACTLY AS SHOWN ON 8.5x11 WHITE 16 POUND NON-BOND RECYCLABLE PAPER. PRINT ON BOTH SIDES, EXCLUDING TEMPLATES. TO BE UNITIZED IN ACCORDANCE WITH GMSPO SPECIFICATIONS

DATE	REVISION	AUTH	DR
05JA06	Initial Release - Corrie LaBrie		
17AU07	Revised - Allyn McManama		

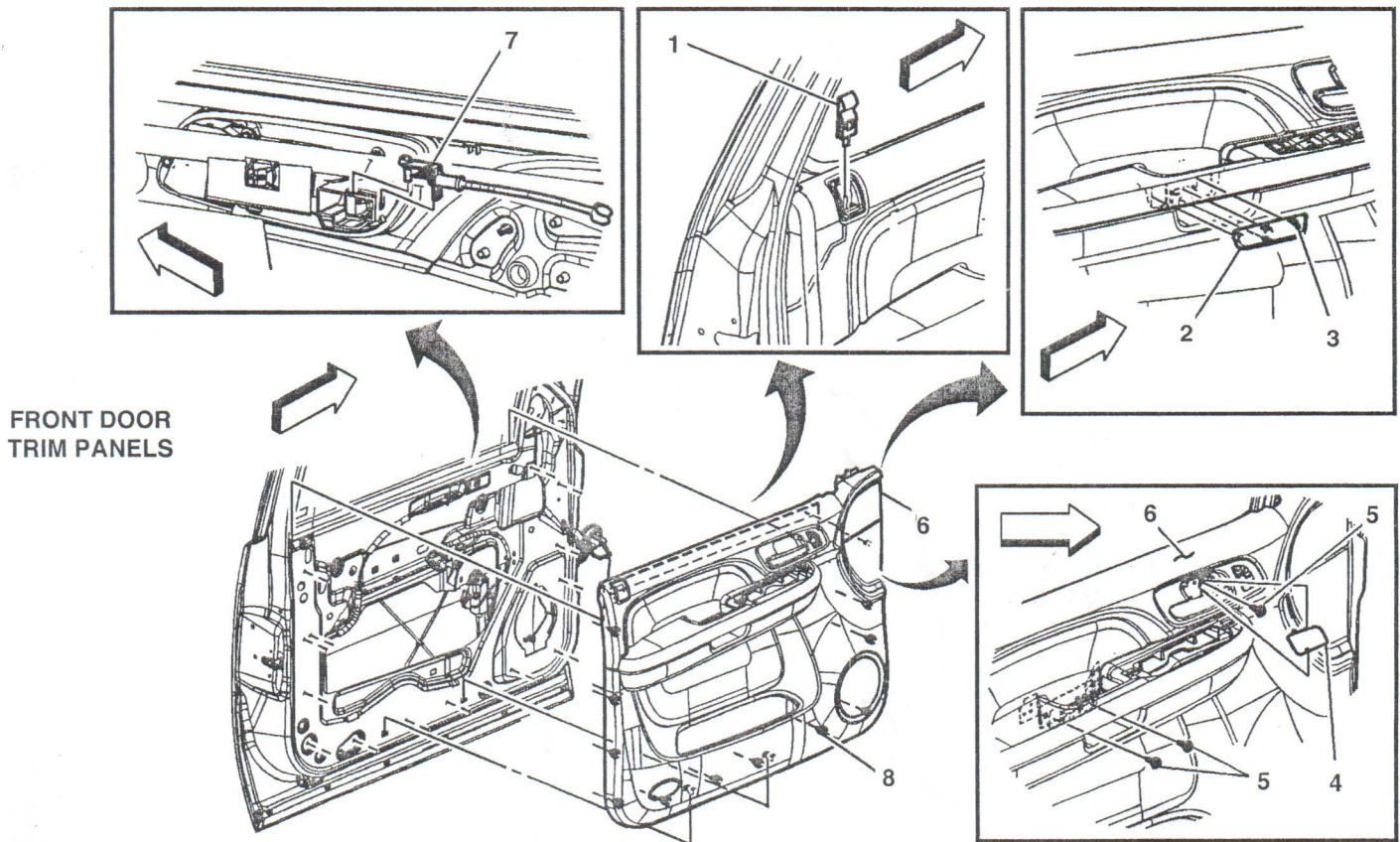
TITLE
INSTALLATION INSTRUCTIONS Chromed Outside Door Handles
PART NO. 88968297 SHEET 1 OF 15

Door Lock and Side Window Switch Assembly Replacement – All Doors



1. Release the door lock and side window switch assemblies (1) from the trim panels retained by two clips (2) each. **TIP:** pry the switch from the end next to the grab handle first.
2. Disconnect the electrical connectors and remove the switch assemblies.

Door Trim Panel Replacement – All Doors



FRONT DOOR TRIM PANELS

Chromed Outside Door Handles

REV 17AU07

PARTNO. **88968297**

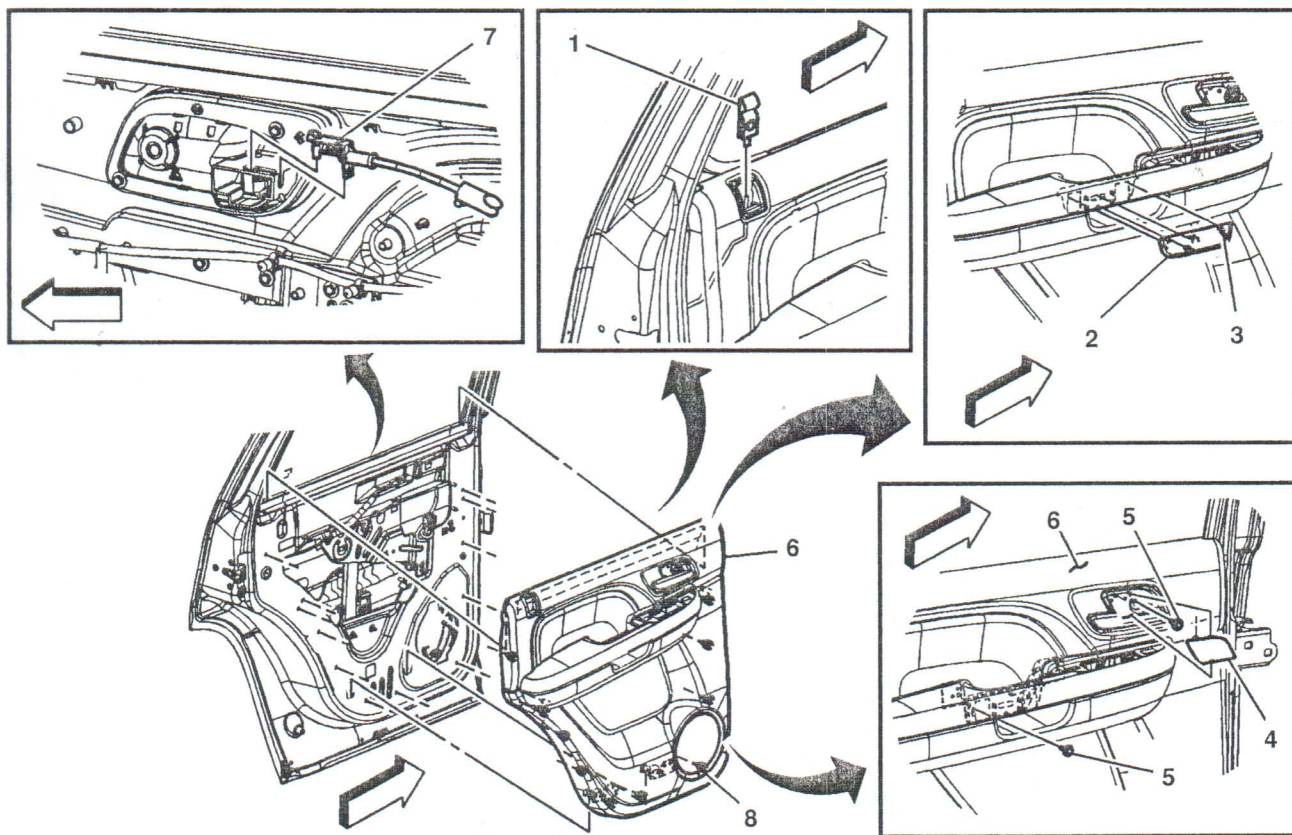
SHEET **2** OF **15**

ALL INFORMATION WITHIN ABOVE BORDER TO BE PRINTED EXACTLY AS SHOWN ON 8.5x11 WHITE 16 POUND NON-BOND RECYCLABLE PAPER. PRINT ON BOTH SIDES, EXCLUDING TEMPLATES. TO BE UNITIZED IN ACCORDANCE WITH GMSPO SPECIFICATIONS.

DATE	REVISION	AUTH	DR	TITLE

INSTALLATION INSTRUCTIONS	
Chromed Outside Door Handles	
PARTNO. 88968297	SHEET 2 OF 15

Rear Door Trim Panels (Standard and Extended Wheelbase)



NOTE: The rear door trim panel replacement procedure is identical for vehicles that are either standard wheelbase or extended wheelbase. The picture shown above is for standard wheelbase.

1. Lower the window and ensure the locking rod is in the unlocked position. Use a flat-bladed tool to disengage the detent tab from the lock rod knob assembly (1) and remove the knob by pulling upward. When reinstalling, ensure the lock rod is in the full unlock position, then drop the knob over the rod until the detent tab touches the locking rod opening cover and engage the detent tab.
2. Insert a flat-bladed tool between the door handle bezel cover (4) and the trim panel to release and remove. Repeat this process for the trim panel cover (2) to release the retainers (3) and remove. When re-installing the bezels to the door panel, load the bottom edge first, then press the bezels into place until they are completely seated.
3. Remove the 10 mm trim panel bolts (5). When replacing, tighten to 2 N·m (18 lb in). **TIP:** Use a pencil magnet to assist in removing and installing the bolts.
4. Remove the door trim panel assembly (6) by pulling the trim away from the door panel to disengage the 12 retainers (8) then lift upward at a slight angle. **NOTE:** The door insulators are attached to the door trim at all corners. Take due care to not tear the insulator. After the trim panel has been disengaged, unbutton the retainers from the insulator prior to removing the door trim panel. These retainers are used for manufacturing installation only and are not needed for reinstallation.

Chromed Outside Door Handles

REV 17AU07

PART NO. **88968297**

SHEET **3** OF **15**

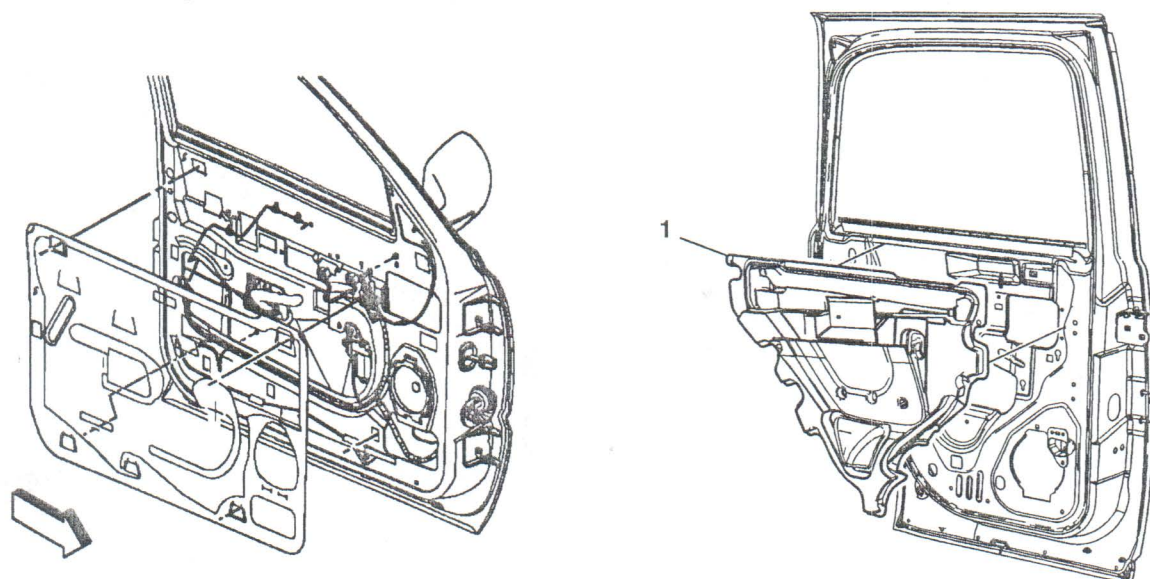
ALL INFORMATION WITHIN ABOVE BORDER TO BE PRINTED EXACTLY AS SHOWN ON 8.5x11 WHITE 16 POUND NON-BOND RECYCLABLE PAPER. PRINT ON BOTH SIDES, EXCLUDING TEMPLATES. TO BE UNITIZED IN ACCORDANCE WITH GMSPO SPECIFICATIONS.

DATE	REVISION	AUTH	DR	TITLE

INSTALLATION INSTRUCTIONS	
Chromed Outside Door Handles	
PART NO. 88968297	SHEET 3 OF 15

5. When re-installing the trim panel, start at the lock knob, pushing down and outward while moving toward the upper front. **NOTES:** (1) Inspect the door trim retainers for damage and, if necessary, replace with the same style retainer. (2) There are 2 hooks located on the lower portion of the door trim panel that are used for manufacturing installation ONLY. If these hooks are damaged during removal or installation of the door trim panel, replacement of the panel is not required.
6. Disengage the door cable from the retaining clip (7) by first slightly pulling up the cable to expand the clip then by pulling it out and away.

Door Insulator Replacement – All Doors



1. Use a flat-bladed tool to separate the bond between the sealer and the door. Take due care to not damage the adhesive during removal. If needed, use 3M 777 waterproof tape.
2. When reinstalling the water deflector, clean the door adhesive area using a 50/50 mix of isopropyl alcohol and water or equivalent. **TIP:** The insulator has two holes reinforced with foam rings located at the fore and aft positions. These holes align to the door trim panel locating pin holes in the door inner panel. Align the reinforced holes to the door panel first before pressing the adhesive seal against the door inner panel.
3. Repeat this process for all door insulators.

Chromed Outside Door Handles

REV 17AU07

PART NO. 88968297

SHEET 4 OF 15

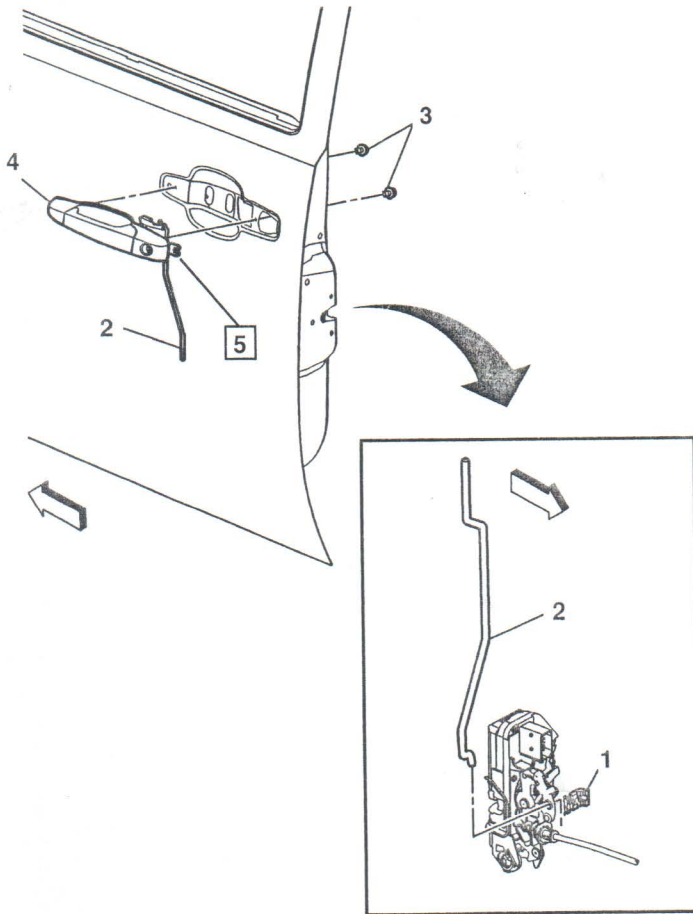
ALL INFORMATION WITHIN ABOVE BORDER TO BE PRINTED EXACTLY AS SHOWN ON 8.5x11 WHITE 16 POUND NON-BOND RECYCLABLE PAPER. PRINT ON BOTH SIDES, EXCLUDING TEMPLATES. TO BE UNITIZED IN ACCORDANCE WITH GMSPO SPECIFICATIONS.

DATE	REVISION	AUTH	DR

TITLE	INSTALLATION INSTRUCTIONS Chromed Outside Door Handles		
PART NO.	88968297	SHEET	4 OF 15

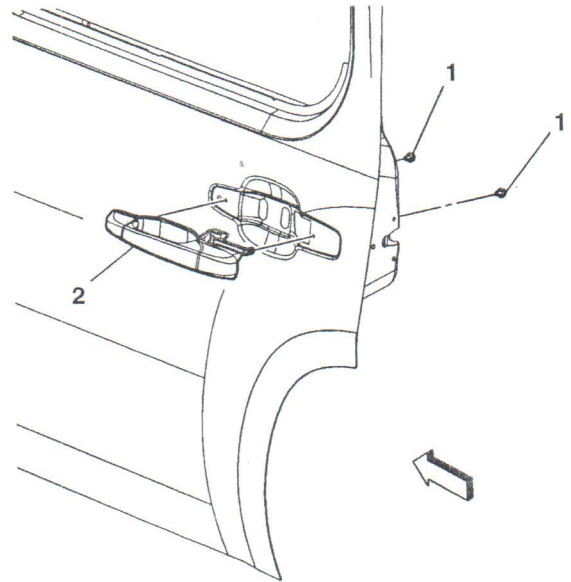
Front Door Outside Handle Replacement

1. Plug in the window switch and raise the window.
2. Remove the 2 - rubber grommets to access the handle bolts (3) then remove the 2 - 10 mm bolts.
3. Release the outside handle lock rod (2) from the door lock clip (1) by pulling outwards to release the clip.
4. Release the lock cylinder rod from the clip on the lock cylinder (5).
5. Remove the front side door outside handle bolts (Qty: 2) (3). When reinstalling, tighten to a static torque value of 9 N·m ± 2 N·m (79.7 lb in ± 18 lb in).
6. Pull the handle to the open position and slide the handle forward to release the handle clip from the metal. Then remove the front side door outside handle with the lock rod attached. (4)
7. Transfer both the lock cylinder and lock rod to the new handle's lever extension.
8. Repeat this process for the front passenger door with the exception of the lock cylinder.



Rear Side Door Outside Handle Replacement

1. Remove the two rubber grommets to access the bolts.
2. Plug in the window switch and raise the window.
3. Release the outside handle lock rod from the door lock clip by pulling outwards to release the clip.
4. Remove the front side door outside handle bolts (Qty: 2) (1). When reinstalling, tighten to a static torque value of 9 N·m ± 2 N·m (79.7 lb in ± 18 lb in).
5. Pull the handle to the open position and slide the handle forward to release the handle clip from the door metal. Then remove the front side door handle (2) with the lock rod attached. Transfer the lock rod to the new handle's lever extension.



6-15-13 non English

Chromed Outside Door Handles

REV 17AU07

PART NO. **88968297**

SHEET **5** OF **15**

ALL INFORMATION WITHIN ABOVE BORDER TO BE PRINTED EXACTLY AS SHOWN ON 8.5x11 WHITE 16 POUND NON-BOND RECYCLABLE PAPER. PRINT ON BOTH SIDES, EXCLUDING TEMPLATES. TO BE UNITIZED IN ACCORDANCE WITH GMSPO SPECIFICATIONS

DATE	REVISION	AUTH	DR

TITLE	INSTALLATION INSTRUCTIONS Chromed Outside Door Handles		
PART NO.	88968297	SHEET	5 OF 15